

#1104 & #1105 Corkscrew Kits

Features:

- Chrome-plated components
- #1105 T-Handle corkscrew
- #1104 T-Handle corkscrew with stopper

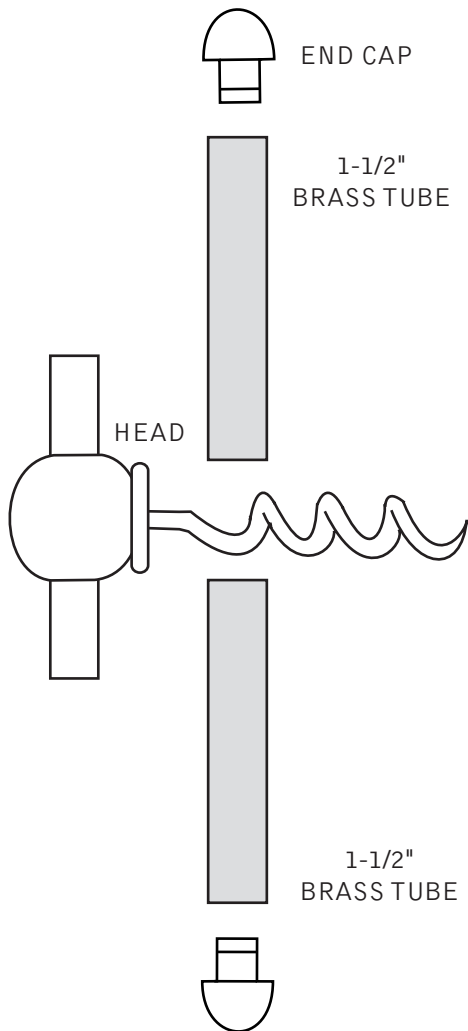
Required accessories:

- 7mm long mandrel
- 3-pc bushing set #1138
- 7mm drill bit #1555
- Barrel trimmer system # 1 5 8 8
- 2-part epoxy glue or insta-cure (cyanoacrylate) glue

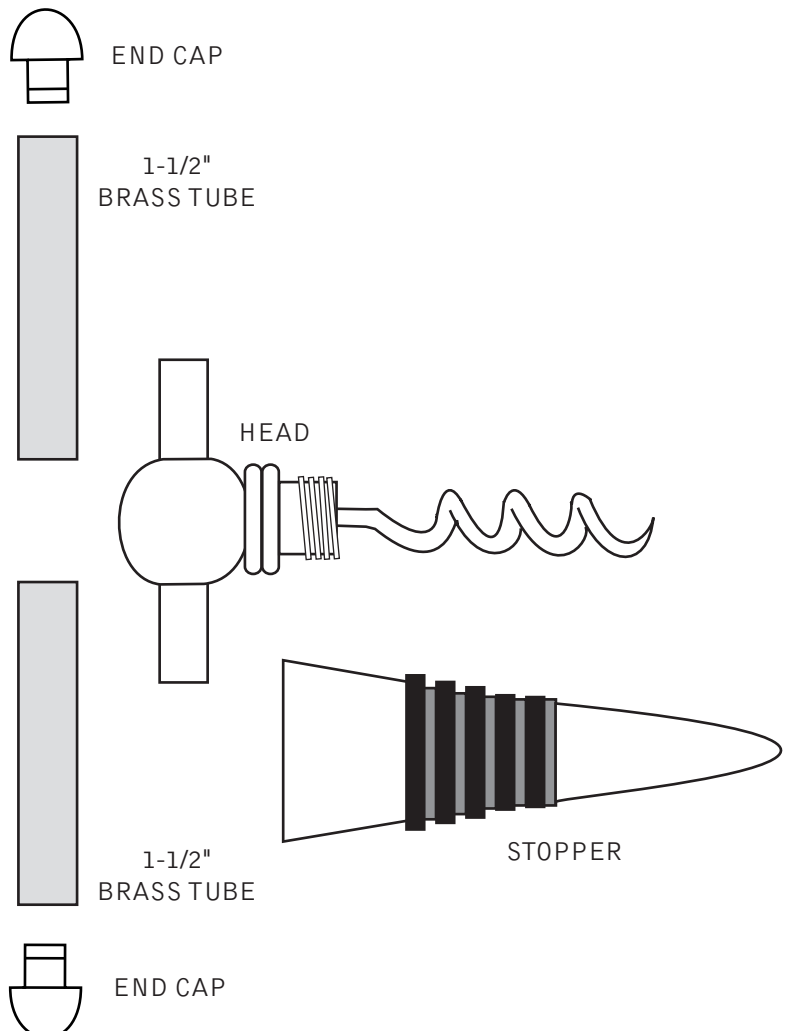


Parts Diagram

#1104

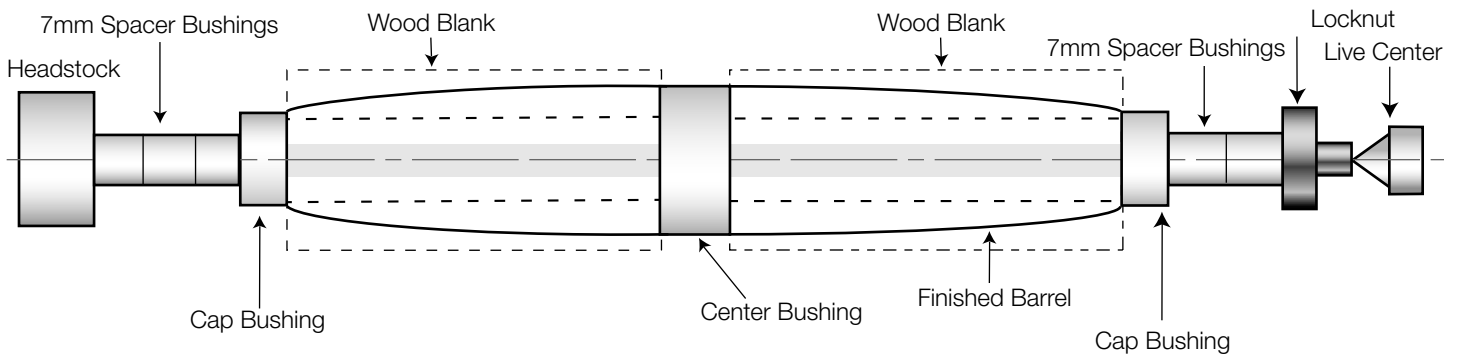


#1105



Preparing the blank for turning

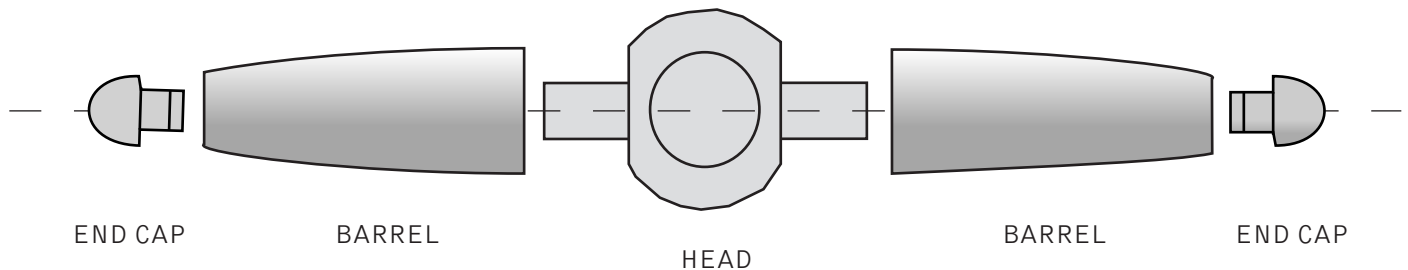
- Cut 2 blanks 1" to 3/4" square to the length of the brass tube. (add 1/16" to the length for squaring off)
- Drill a 7mm hole through each blank
- Glue the brass tubes into each blank
- When dry, use a 7mm barrel trimmer to square the ends of the blanks.



Turning the Blanks

Mount 3-4 spacer bushings on the mandrel. Follow with a cap bushing. Slide on a wood blank, follow with the center bushing. Slide the other blank and the cap bushing. Add spacer bushings to fill the space to the threads. Engage the tail stock to the mandrel, lock in place. Tighten the lock nut in the set up.

Turn the wood down to the bushings while creating a slight arc. Sand and finish the wood.

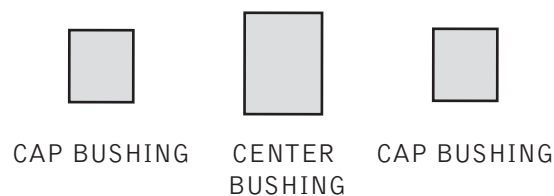


Assembly

- Press either barrel, wide end in first, over one of the extensions of the head.
- Press the remaining barrel onto the opposite end.
- Press the end caps (2) into each of the open ends of the barrels

The corkscrew is now ready to use.

Note: You may need to use drops of glue in the tube to secure retention of the components in assembly.



#1138 Bushings